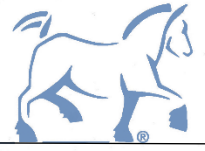


Thank you for choosing our product

COLT-300



Cheyenne Livestock & Products Inc.

PO Box 25
Brush Prairie, WA 98606

Telephone: (360) 574-7771 or 1-800-424-7575
Fax: (360) 574-0490

STEP BY STEP INSTRUCTIONS FOR THE "COLT-300 "HAND CART

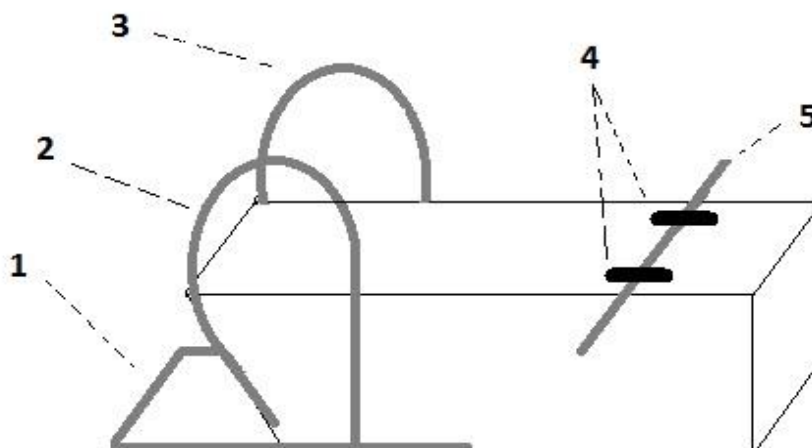
NOTE: ALL BOLTS SHOULD BE PLACED WITH THE SLOTTED HEAD ON THE INSIDE OF THE CART.

HARDWARE PACKAGE: Please find and check the hardware package. See the pictorial inventory of the assembly hardware on the back of these instructions.

TOOLS REQUIRED (not included): A flat blade screwdriver and a 7/16th end wrench or an adjustable crescent wrench.

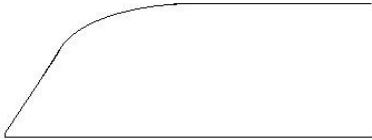
1. **HANDLE:** Place the cart (PART A) upside down. Match the numbers on the handle (PART F) to the numbers on the cart body. Slide the handle on the bottom of the cart body. Bolt the handle to the cart, using (4) 1 1/2-inch bolts (PART I) and (4) self-locking nuts (PART H)
2. **LEG 1:** Turn the cart body on its side. Match the numbers on one of legs (PART G), to the numbers on the cart. Use (5) 1 1/2-inch bolts (PART I) and (5) self-locking nuts (PART H), to attach the leg to the cart body.
3. **LEG 2:** Turn the cart body on its other side. Match the numbers on one of the legs, to the numbers on the cart. Use (5) 1 1/2-inch bolts ((PART I) and (5) self-locking nuts (PART H), to attach the leg to the cart body.
4. **AXEL BRACKETS:** With the cart remaining on its side, use the (8) 1 ¼ inch long bolts (PART J) and (8) self-locking nuts (PART H) to attach both axel brackets (PART D) to the bottom of the cart. **IMPORTANT!** Do not tighten the bolts for the axel brackets more than finger tight.
5. **AXEL:** Turn the cart body upside down. Slide the axel (PART C) through both axel brackets. Be sure that the same amount of axel protrudes beyond the sides of the cart on both sides (about 3 – 3/8 inch) to allow for the wheels.
6. **WHEELS:** Put one collar (PART E) on each end of the axel, then the wheels (PART B), followed by another collar. Now tighten the set screws of the collar. See drawing 1. **Tighten the bolts that hold the axel brackets to the cart body.**

The diagram below, shows the cart in an upside-down position

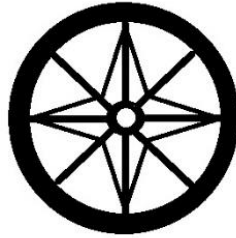


PARTS LIST

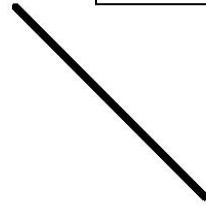
TUB (1)
PART "A"



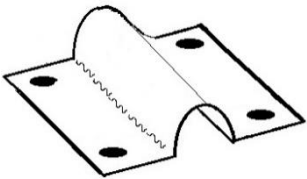
WHEELS (2)
PART "B"



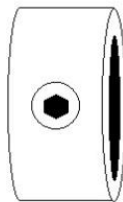
AXEL (1)
PART "C"



AXEL CLIPS (2)
PART "D"

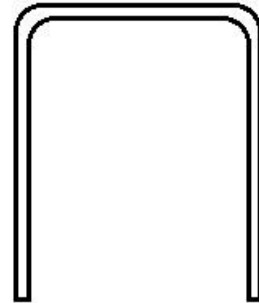


AXEL COLLAR (4)
PART "E"

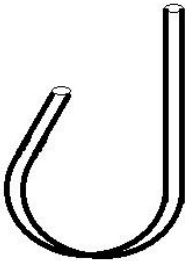


4 each Set Collar

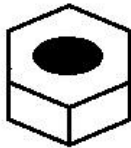
HANDLE (1)
PART "F"



LEGS (2)
PART "G"

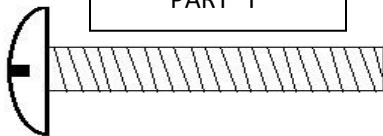


1/4" NUTS (22)
PART "H"

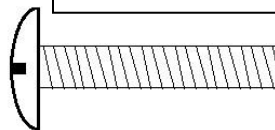


1/4 Nut

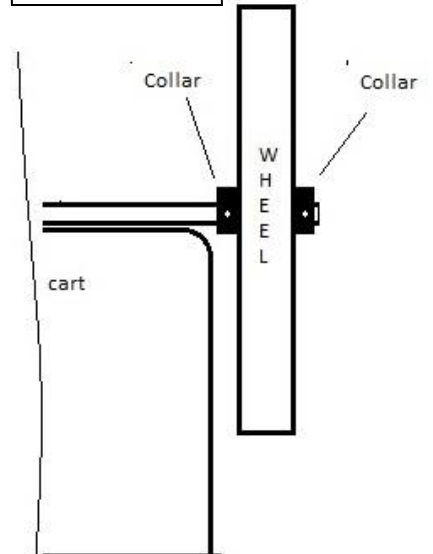
1 1/2" BOLT (14)
PART "I"



1 1/4" BOLTS (8)
PART "J"



DRAWING 1



Install inside collar - Don't tighten
Install wheel -
Install out side collar - make sure the
Collars are press up against the wheel
- Now tighten set screws on both
collars