

Thank you for choosing our product

Cheyenne Livestock & Products Inc.

BURRO HAND CART



PO Box 25
Brush Prairie, WA 98606

Telephone: (360) 574-7771 or 1-800-424-7575
Fax: (360) 574-0490

STEP BY STEP INSTRUCTIONS FOR THE "BURRO" HAND CART

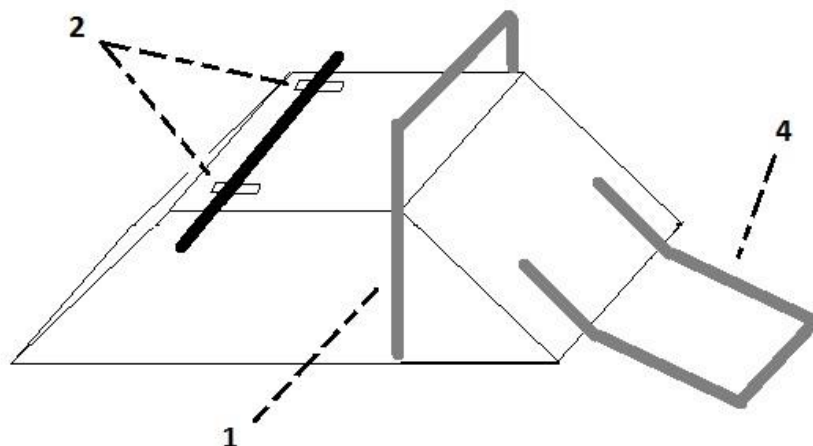
NOTE: ALL BOLTS SHOULD BE PLACED WITH THE SLOTTED HEAD ON THE INSIDE OF THE CART.

HARDWARE PACKAGE: Please find and check the hardware package. See the pictorial inventory of the assembly hardware on the back of these instructions.

TOOLS REQUIRED (not included): A flat blade screwdriver and a 7/16th end wrench or an adjustable jaw wrench.

1. **LEGS:** Turn the cart body (PART "A") on its side. Match the number on the leg (PART "E") to the number on the cart. Use (4) of the 1 ½ inch bolts (PART "G"), and (4) self-locking 1/4-inch nuts (PART "H") to attach the leg to the cart body.
2. **AXEL BRACKETS:** With the cart remaining on its side, use the (8) 1 ¼ inch long bolts (PART "F"), and (8) self-locking nuts to attach both axel brackets (PART "J") to the bottom of the cart. **IMPORTANT!** Do not tighten the bolts more than finger tight.
3. **AXEL:** Turn the cart body upside down. Slide the axel (PART "C") through both axel brackets. Be sure that the same amount of axel protrudes beyond the sides of the cart on both sides (about 3-3/8 inches) to allow for the wheels.
4. **WHEELS:** Put one collar (PART "K") on each end of the axel, then the wheels (PART "B"), followed by another collar. Now tighten the set screws of the collar. Tighten the bolts that hold the axel brackets to the cart body. See drawing 1
5. **HANDLE:** Turn the cart body upright on its wheels. Match the numbers on the handle (PART "D") to the numbers on the cart body. Install the handle on the outside of the cart body using the last four (4) 1 ½ inch long bolts, (4) flat washers (PART "I") and (4) self-locking nuts. Install the flat washers and the head of the bolts on the inside of the cart.

The diagram below shows the cart in an upside-down position.

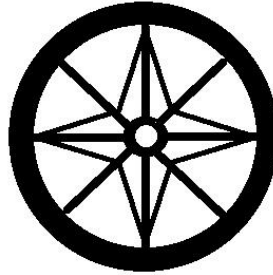


Parts List

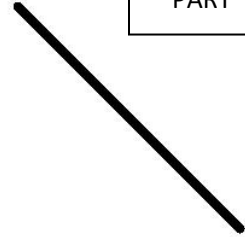
CART BODY (1)
PART "A"



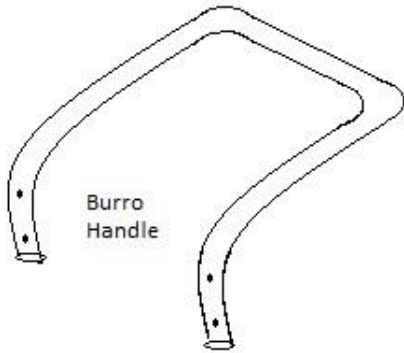
20" WHEELS (2)
PART "B"



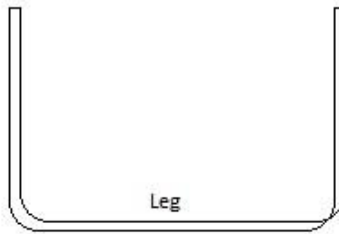
AXEL (1)
PART "C"



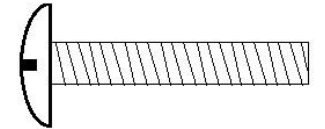
HANDLE (1)
PART "D"



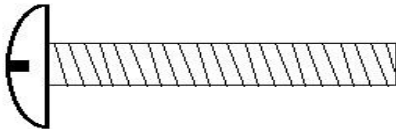
LEG (1)
PART "E"



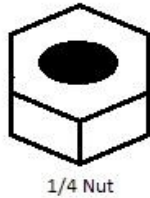
1 1/4" BOLTS (8)
PART "F"



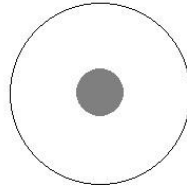
1 1/2" BOLTS (8)
PART "G"



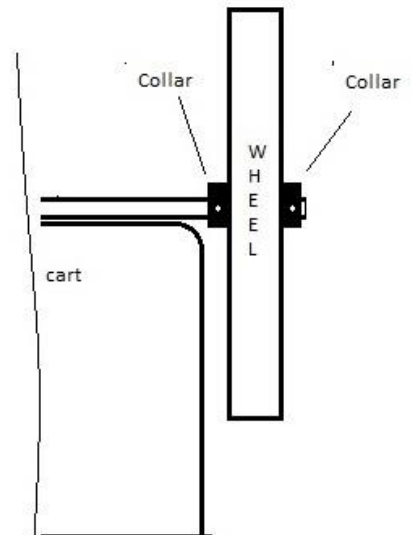
1/4" NUTS (16)
PART "H"



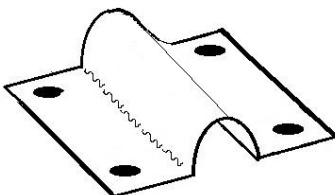
WASHERS (4)
PART "I"



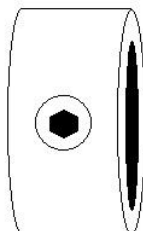
DRAWING 1



BRACKETS (2)
PART "J"



SET COLLARS (4)
PART "K"



Install inside collar - Don't tighten
Install wheel -
Install out side collar - make sure the
Collars are press up against the wheel
- Now tighten set screws on both
collars